

252 Series

Valves

V A L V E S

Extremely versatile, rugged large residential/commercial valves designed to provide a wide array of options for a variety of water conditions.

25-50mm (1"-2") Electric, 40 and 50mm (1½" and 2") N. O. Hydraulic, 40 and 50mm (1½" and 2") Debris Resistant, 40mm (1½") Pin-Type Hydraulic Models

Features

- Globe/Angle configuration
- Stainless-steel seat 40 and 50mm (1½" and 2") models
- Fabric-reinforced diaphragm: 40 and 50mm (1½" and 2") models
- Rubber diaphragm: 25mm (1") model
- Manual flow control: adjustable to zero flow
- Manual bleed screw
- Energy-efficient solenoid
- 61cm (24") solenoid lead wires (40 and 50mm) (1½" and 2" electric) or 45cm (18") lead wires (25mm and 1" electric models) for easy-access installation
- Self-cleaning, stainless-steel metering pin (electric models)
- Stainless-steel diaphragm differential spring for smooth, positive closing
- Single-piece diaphragm for reliable, leak-free valve closing
- Removable, self-flushing, stainless-steel screen – 120 mesh (contamination-resistant models)
- Tough, glass-filled Zytel® cap provides stability under pressure
- Durable engineering plastic and stainless-steel construction for exceptional durability

Specifications

- Recommended flow range:
 - 25mm – 19-76 LPM (1" – 5-20 GPM)
 - 40mm – 114-303 LPM (1½" – 30-80 GPM)
 - 50mm – 227-568 LPM (2" – 60-150 GPM)
- Operating pressure: 1.4-10 Bar (20-150 PSI)
- Burst pressure safety rating: 52 Bar (750 PSI)
- Body styles:
 - Globe/Angle valve – 25, 40 or 50mm (1", 1½" or 2") female-threaded inlet and outlet
 - NPT/BSP threads available
- Solenoid 25, 40 and 50mm (1", 1½" and 2") valve:
 - 50/60 Hz (24 V.a.c.)
 - Inrush: 0.30 Amps, 7.20 VA
 - Holding: 0.20 Amps, 4.80 VA
- Dimensions:
 - 25mm Models – 171 x 114mm (H x W) (1" – 6¾" x 4½") (H x W)
 - 40mm Models – 197 x 152mm (H x W) (1½" – 7¾" x 6") (H x W)
 - 50mm Models – 241 x 178mm (H x W) (2" – 9½" x 7") (H x W)



40mm (1½")
Debris
Resistant



25mm (1")
Electric



50mm (2")
Electric



Pin-Type
Hydraulic



Effluent
flow-control
knob available
(Part # 89-7855)



50mm (2")
Debris
Resistant

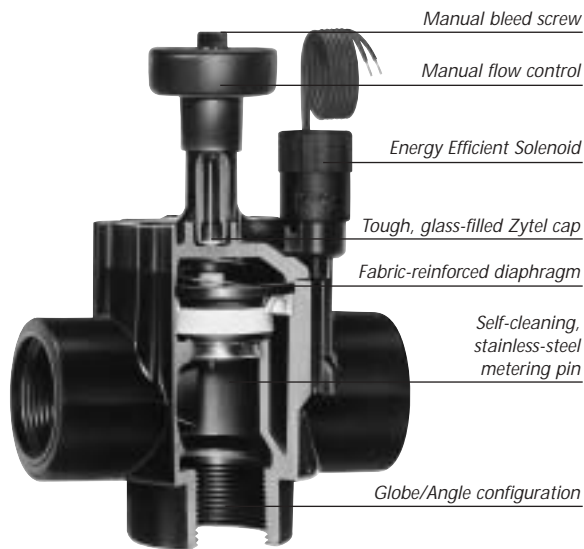
252 Series Valves

Flow (LPM)	25	50	75	100	125	150	175	200	250	300	400	500
25mm (1") Electric - Angle	0,2	0,26	0,31	0,32	0,40	0,51						
25mm (1") Electric - Globe	0,2	0,30	0,34	0,43	0,53	0,65						
40mm (1½") Electric - Angle				0,09	0,08	0,10	0,12	0,16	0,21	0,33	0,52	0,70
40mm (1½") Electric - Globe				0,10	0,11	0,14	0,18	0,23	0,32	0,47	0,84	1,20
40mm (1½") Hydraulic - Angle				0,07	0,08	0,10	0,10	0,13	0,25	0,34	0,56	0,9
40mm (1½") Hydraulic - Globe				0,07	0,09	0,14	0,18	0,23	0,34	0,44	0,78	1,0
50mm (2") Electric - Angle									0,07	0,13	0,23	0,30
50mm (2") Electric - Globe									0,14	0,17	0,28	0,45
50mm (2") Hydraulic - Angle									0,07	0,13	0,23	0,30
50mm (2") Hydraulic - Globe									0,14	0,17	0,27	0,43

*Values are listed in Bar

For kPa values, multiply tabular values by 100. For Kg/cm² values, multiply tabular values by 1,02

Flow (GPM)	5	10	20	25	30	40	50	60	70	80	100	120	
1" Electric - Angle	2.0	3.5	4.5	4.5	5.0	7.5							
1" Electric - Globe	3.0	4.0	5.0	6.0	7.0	9.5							
1½" Electric - Angle				1.5	1.0	1.5	2.0	3.0	3.0	5.0	7.0	9.0	
1½" Electric - Globe				1.5	1.0	2.0	3.0	4.0	5.0	7.0	11.0	15.0	
1½" Hydraulic - Angle				1.0	1.0	1.5	1.5	3.0	4.0	5.0	7.0	11.0	
1½" Hydraulic - Globe				1.0	1.0	2.0	3.0	4.0	5.5	6.5	10.5	13.5	
2" Electric - Angle									1.0	1.0	2.0	3.0	4.0
2" Electric - Globe									2.0	2.0	2.5	3.5	5.5
2" Hydraulic - Angle									1.0	1.0	1.5	2.0	3.0
2" Hydraulic - Globe									1.5	2.0	2.0	3.5	5.0



252 Electric Valve

	25mm (1")		40mm (1½")		50mm (2")	
	NPT	BSP	NPT	BSP	NPT	BSP
Electric	X	X	X	X	X	X
N. O. Hydraulic			X	X	X	X
Pin-Type Hydraulic			X	X		
Contamination-Resistant (Electric)			X	X	X	X

Specifying Information – 252 Series Plastic Valves

Activation Type	Thread	Size
06–25mm (1") Electric 20–40mm (1½") Pin-Type Hydraulic 21–Normally Open Hydraulic 25–40–50mm (1½"-2") Electric, Debris Resistant 26–40–50mm (1½"-2") Electric	0–NPT 5–BSP	4–25mm (1") 6–40mm (1½") 8–50mm (2")
For Example: When specifying a 40mm (1½") BSP 252 Series electric debris-resistant valve, you would specify: 252-25-56		



Count on it.

Worldwide Headquarters
 The Toro Company
 8111 Lyndale Avenue South
 Bloomington, MN 55420
 Phone: 952-888-8801
 Fax: 952-887-7265
 www.toro.com

GB Form Number: 200-xxxx
 ©2005 The Toro Company – All Rights Reserved.